

WIR 240/250

TV Talker™ TV Infrared Listening System



The WIR 240/250 is ideal for TV listening, meetings, or any small group listening application. Listen at the volume of your comfort without disturbing others. The system connects directly to your TV, VCR, or DVD equipped with standard output jacks. It features high quality, low distortion sound, and swiveling ear couplings for maximum comfort and performance. On/Off switch is built into the “arms” of the receiver, so it can never be left on to drain the batteries.

WIR 240 System includes:

- (1) WIR TX 240 transmitter
- (1) WIR RX 240 receiver
- (1) power supply
- (1) MIC 084 TV microphone
- (1) WCA 078 audio cable
- (2) BAT AP07D rechargeable batteries

WIR 250 System includes:

- (1) WIR TX 240 transmitter
- (1) WIR RX 250 receiver
- (1) power supply
- (1) MIC 084 TV microphone
- (1) WCA 078 audio cable
- (2) BAT AP07D rechargeable batteries

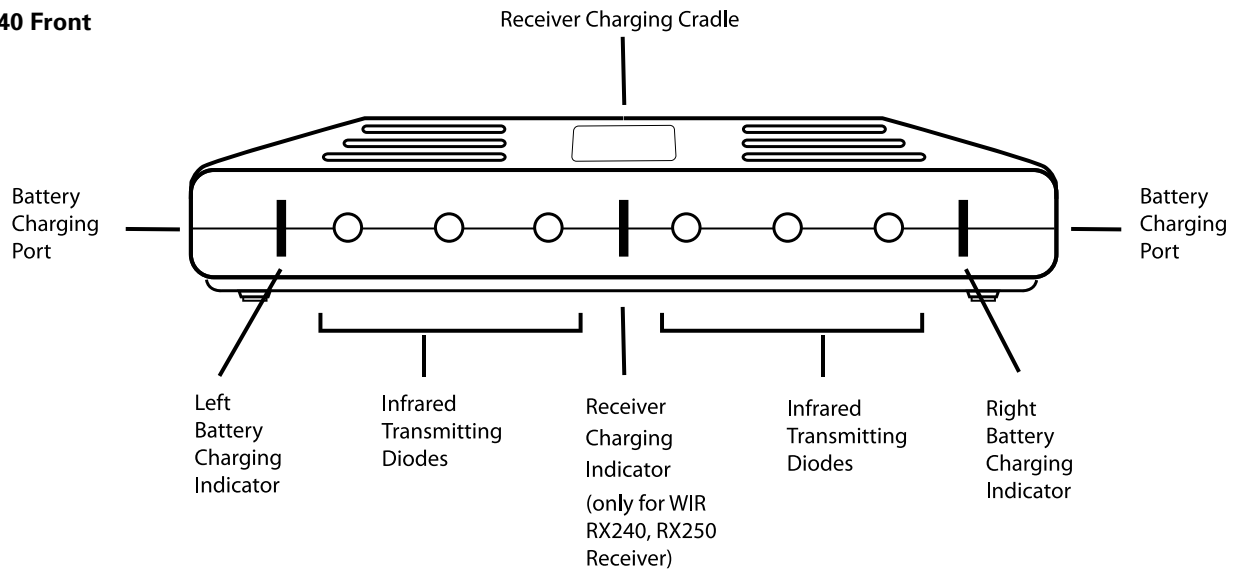
All items can be purchased separately.

TV Talker™ TV Infrared Listening System

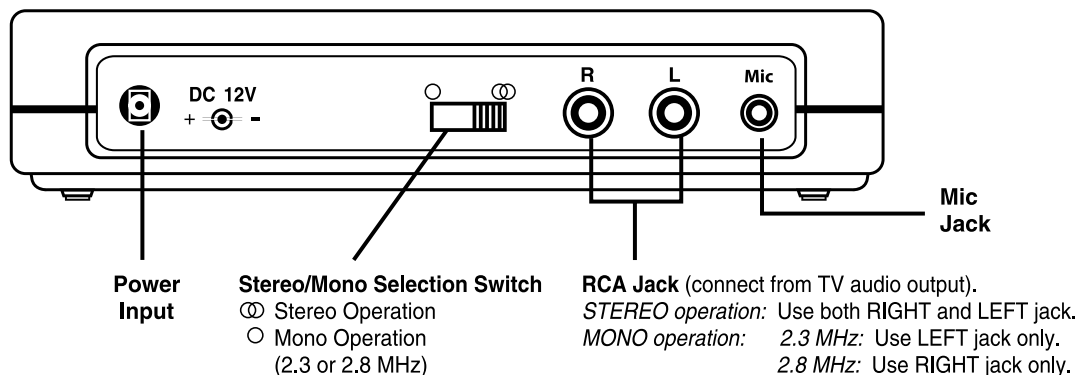
WIR TX240 Transmitter

Size, Weight, Color:	6.25" L x 4" W x 1.4" H (15.9 cm x 10.2 cm x 3.6 cm), 5.5 oz (177 g), Gray
Power Input:	12 VDC (center is positive) on DC connector, 200 mA Class II wall transformer
	TFP 041 Power Supply: North America: 120 VAC, 60 Hz, UL/CSA
Subcarrier Frequency:	2.3 MHz, 2.8 MHz, or stereo
Range:	30ft (9m) line-of-site
Auto Power On/Off:	Transmitter shuts off infrared after 5 minutes when audio signal is removed. Battery charging functions remain on full time.
Microphone Input:	3.5 mm jack for MIC 084 Electret TV Microphone, 1.5 kΩ
Line Inputs:	2 RCA jacks for mono or stereo line-level sources. 200 mV min. to 10 V rms max. input level, 5.1 kΩ
Automatic Level Control:	35 dB compression range
Infrared LEDs, Pattern:	6 IR LEDs, 45 degree cone-shaped coverage pattern to 6 dB intensity, 30 ft (9 m) line of sight
Charging Ports:	Charges one WIR RX240/250 Receiver plus two additional BAT AP07D NiMH battery packs**
Approvals:	RoHS, WEEE
Warranty:	2 years, parts and labor*

TX240 Front



TX240 Rear

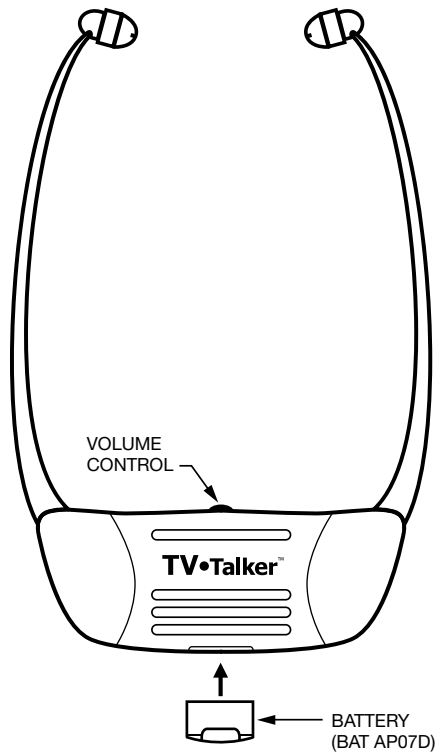


*90 days on accessories

NOTE: SPECIFICATIONS SUBJECT TO CHANGE WITHOUT NOTICE.

TV Talker™ TV Infrared Listening System

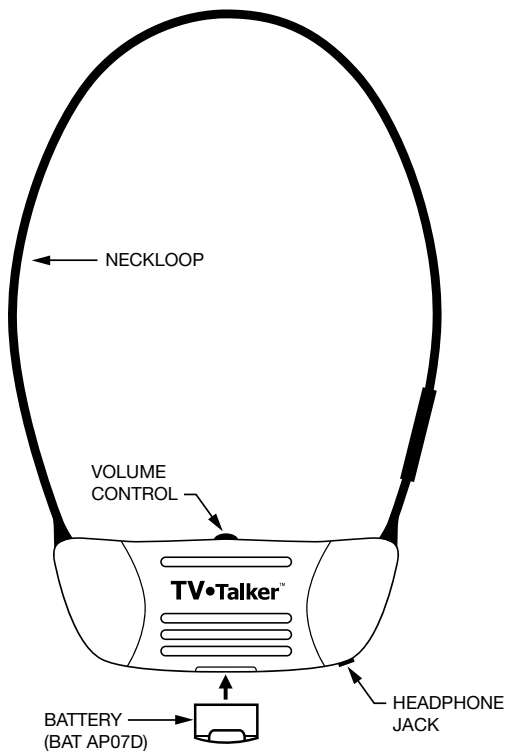
WIR RX240 Receiver:



RX240 RECEIVER

Weight:	1.8 oz (55 g) with battery
Material and Color:	ABS plastic, Black
Battery Type, Life:	BAT AP07D NiMH Battery Pack, 7 hours
Modulation Frequency:	2.3 and 2.8 MHz
Frequency Response:	200 Hz to 8 kHz, ± 5 dB
Signal-to-Noise Ratio:	60 dB at 10 m
Controls:	Volume control thumbwheel; screwdriver adjust balance
Acoustic Output:	120 dB MAX SSPL90 with 2 cc coupler
Compatibility:	Compatible with transmitters operating on 2.3 MHz/2.8 MHz
Power Switch:	Built into receiver "arms"
EarTips:	Uses EAR 240 silicon eartips
Approvals:	RoHS, WEEE
Warranty:	2 years, parts and labor*

WIR RX250 Receiver:



RX250 RECEIVER

Weight:	1.8 oz (56 g) with battery
Material and Color:	ABS plastic, Black
Battery Type, Life:	BAT AP07D NiMH Battery Pack, 7 hours
Modulation Frequency:	2.3 and 2.8 MHz
Frequency Response:	200 Hz to 8 kHz, ± 5 dB
Signal-to-Noise Ratio:	60 dB at 10 m
Controls:	Volume control thumbwheel; screwdriver adjust balance
Acoustic Output:	120 dB MAX SSPL90 with 2 cc coupler and EAR 013
Compatibility:	Compatible with transmitters operating on 2.3 MHz/2.8 MHz
Headphone Output:	3.5mm Stereo jack
Power Switch:	Two position slide switch
Loop Length:	32" (813mm)
Approvals:	RoHS, WEEE
Warranty:	2 years, parts and labor*

*90 days on accessories

NOTE: SPECIFICATIONS SUBJECT TO CHANGE WITHOUT NOTICE.

TV Talker™ TV Infrared Listening System

Bid Specs:

TX240 Transmitter

The transmitter shall be encased in a grey, ABS plastic, compact in design for easy mounting on top of a TV, VCR or audio equipment. The transmitter shall have 6 infrared LEDs that can transmit a signal up to 30 ft (line-of-sight) at 6 dB of intensity. There shall be a two position slide switch for selecting stereo or mono (2.3/2.8 MHz) operation. Two RCA jacks shall be available for mono or stereo line-level input at 200 mV to 10 V. A 3.5 mm jack shall be available for microphone input at 1.5 k. A television microphone shall be included to directly pick up the audio of the sound source where there are no available jacks. The transmitter shall have a battery charger for the RX240/250's BAT AP07D on each side of the transmitter.

The transmitter shall serve as a charger for a single RX240/250 receiver plus two additional BAT AP07D batteries.** The transmitter shall automatically turn off after 5 minutes of no audio. The transmitter shall have RoHS and WEEE approval and be covered by a two-year parts and labor warranty.* The transmitter shall be the Williams Sound model WIR TX240.

RX240 Receiver

The receiver shall be a stetho type with an IR detector lens in the face of the unit. The receiver shall be compatible with transmitters operating on 2.3 MHz/2.8 MHz. The receiver shall have a rotary-type volume control and the power switch shall be built into the "arms," so that the unit will automatically shut off when not in use. The receiver shall have a left to right balance control adjustable by screwdriver. The receiver shall operate for 7 hours per charge with 1 BAT AP07D NiMH battery. The receiver shall be housed in a black ABS plastic case. The receiver shall provide 120 dB SSPL90 output. The system frequency response shall be 200 Hz to 8 kHz, and the signal-to-noise ratio shall be 60 dB at 10 m. The receiver shall have RoHS and WEEE approval and be covered by a two-year parts and labor warranty*, 90 days on the battery. The receiver shall be the Williams Sound model WIR RX240.

RX250 Receiver

The receiver shall have a built in induction loop and be compatible with telecoil-equipped hearing aids. It shall include a 32" cord that will allow the user to wear the receiver around the neck. An IR detector lens shall be built into the face of the unit. The unit shall have a looped cord so the receiver can be worn around the neck. The unit shall be compatible with transmitters operating on 2.3 MHz frequency bandwidth. The receiver shall have a rotary-type volume control and the power switch shall be a two position slide switch. The RX250 shall have a 3.5mm stereo jack for use with earphones / headphones. The unit shall operate for 7 hours per charge with 1 BAT AP07D NiMH battery. It shall be housed in a black ABS plastic case. The receiver's frequency response shall be 200 Hz to 8 kHz, and the signal-to-noise ratio shall be 60 dB at 10 m. The receiver shall have RoHS and WEEE approval and be covered by a two-year parts and labor warranty*, 90 days on the battery. The receiver shall be the Williams Sound model WIR RX250.

*90 days on accessories.

** Only one additional battery is supplied with the WIR 240/250 system

Domestic Sales

Williams Sound
10300 Valley View Rd
Eden Prairie, MN 55344
Ph: 800-328-6190 / 952-943-2252
FAX: 952-943-2174
Email: info@williamssound.com
Web: www.williamssound.com

International Sales

International Sales Department
Williams Sound
10300 Valley View Rd
Eden Prairie, MN 55344 USA
Phone: +1 952 943 2252
Fax: +1 952 943 2174
Email: info@williamssound.com
Web: www.williamssound.com



WILLIAMS SOUND®
HELPING PEOPLE HEAR

800.843.3544 / info@williamssound.com / www.williamssound.com